



S-FR-560H-E2-CB

(5.3KW)

EC FAN

Data Sheet

EC MOTOR DATA SHEET

1. Introduction

This is the data sheet for the product with the impeller.

This data sheet is a data value tested by the official testing and certification authority.

2. Technical Data

- ▶ Model : S-FR-560H-E2-CB
- ▶ Type of Protection : IP54
- ▶ Input Voltage : 380V – 400VAC (3Phase)
- ▶ Input Frequency : 50/60hz
- ▶ Switching Frequency : 0~10kHz
- ▶ Minimum Speed : 800r/min
- ▶ Rated Speed : Rated 1750r/min (신뢰성 운전을 위해 출고시 최대 1750r/min으로 제한)
- ▶ Max Speed : 1850r/min
- ▶ Power : 5.3KW Class
- ▶ Operating Temperature : -40°C ~ +60°C
- ▶ Operating Humidity : +60°C , 85% R.H.,

3. Control

- ▶ Modbus RTU (RS-485) *Modbus RTU 프로토콜 문서 보유*
- ▶ 0-10V Control
- ▶ 0-10V Speed Feedback
- ▶ Diagnostics For Relay (No, Com, NC)

4. Fault Diagnostics

- ▶ Over Temperature (100°C)
- ▶ Gate kill (Over Current)
- ▶ Phase Loss
- ▶ Flux out of control

5. Applications

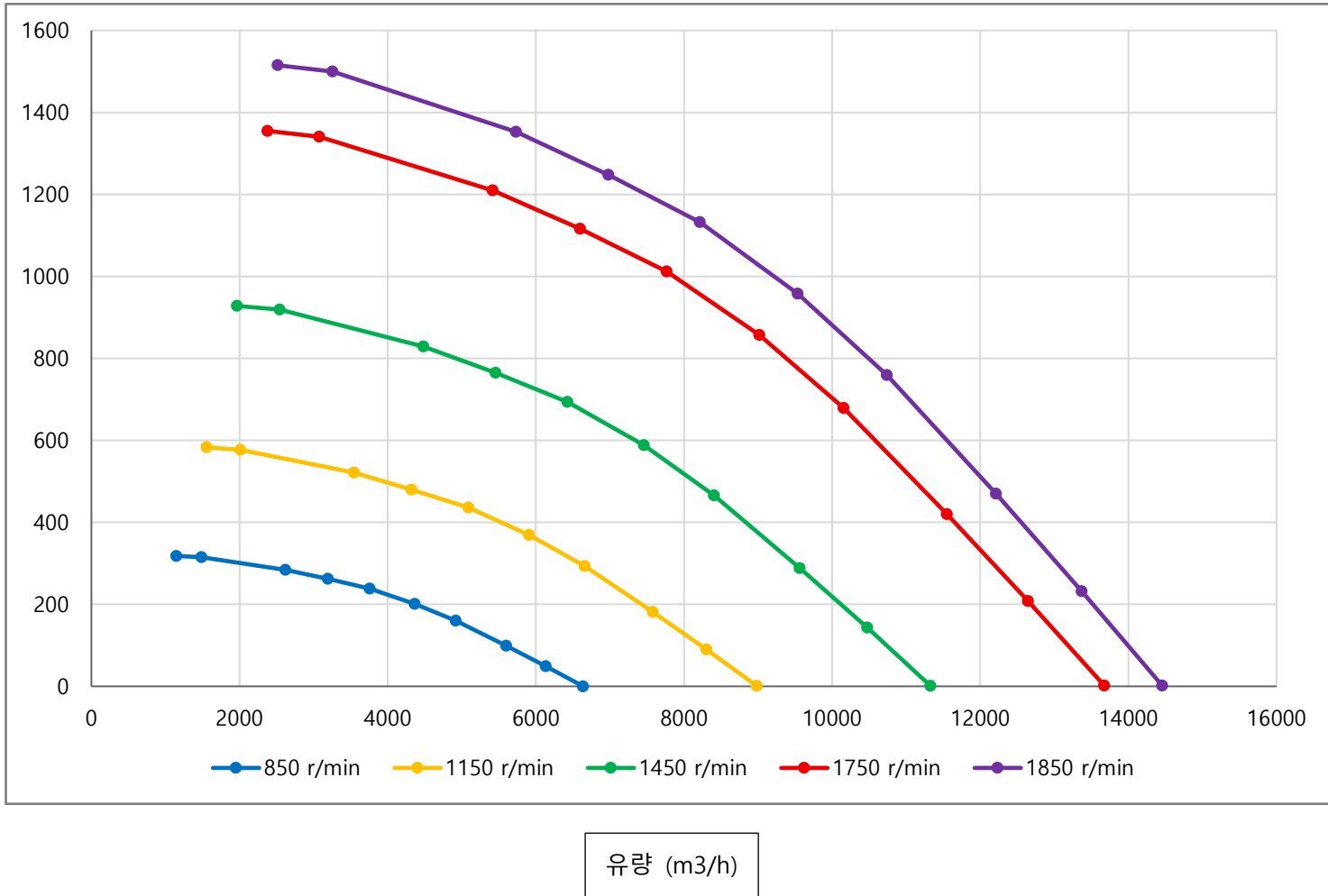
- ▶ Fans
- ▶ Pumps
- ▶ Compressors
- ▶ Blowers
- ▶ Unit Handling
- ▶ HVAC systems
- ▶ Variable speed applications

- ▶ General purpose applications

6. Control Method

- ▶ Bluetooth Control
- ▶ IoT Control
- ▶ ModbusRTU (RS-485)
- ▶ VSP (0-10V)

7. Fan Performance Curve

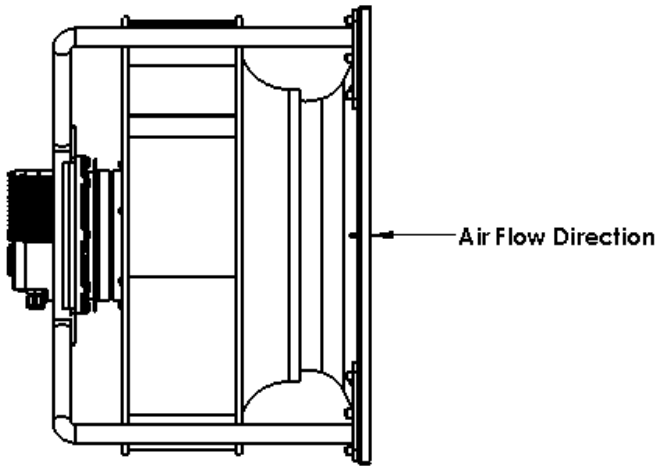


ρ : 1.2 kg/m³ ; Data@ 380V ; 60hz ; 1850r/min

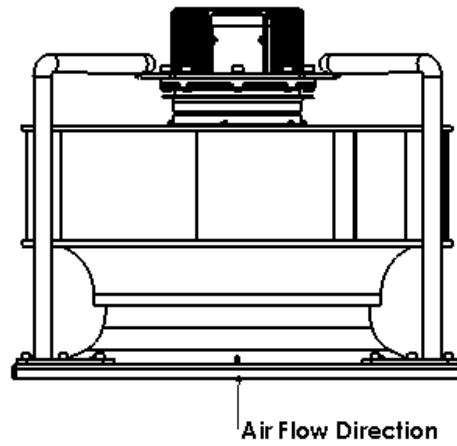
850 r/min			
Point	Q (m3/h)	Ps (Pa)	Input Power (kW)
1	6640	0	0.3
2	6137	49	0.4
3	5600	99	0.4
4	4920	160	0.5
5	4365	201	0.5
6	3759	238	0.5
7	3192	262	0.5
8	2620	284	0.5
9	1487	315	0.4
10	1149	318	0.3
1150 r/min			
Point	Q (m3/h)	Ps (Pa)	Input Power (kW)
1	8984	1	0.8
2	8305	90	0.9
3	7580	181	1.0
4	6661	293	1.2
5	5911	369	1.2
6	5090	436	1.2
7	4324	480	1.2
8	3549	521	1.1
9	2015	577	0.9
10	1557	583	0.9
1450 r/min			
Point	Q (m3/h)	Ps (Pa)	Input Power (kW)
1	11329	1	1.6
2	10475	143	1.9
3	9563	288	2.1
4	8407	466	2.3

5	7461	588	2.4
6	6426	694	2.4
7	5459	765	2.4
8	4482	829	2.2
9	2545	919	1.9
10	1967	928	1.7
1750 r/min			
Point	Q (m3/h)	Ps (Pa)	Input Power (kW)
1	13674	2	2.9
2	12647	208	3.3
3	11551	420	3.6
4	10157	679	4.1
5	9017	857	4.3
6	7768	1012	4.3
7	6600	1116	4.2
8	5419	1210	4.0
9	3077	1341	3.3
10	2378	1355	3.1
1850 r/min			
Point	Q (m3/h)	Ps (Pa)	Input Power (kW)
1	14456	2	3.4
2	13372	232	3.9
3	12214	470	4.3
4	10742	759	4.8
5	9537	958	5.1
6	8217	1132	5.1
7	6982	1248	4.9
8	5733	1353	4.7
9	3256	1500	3.9
10	2516	1515	3.6

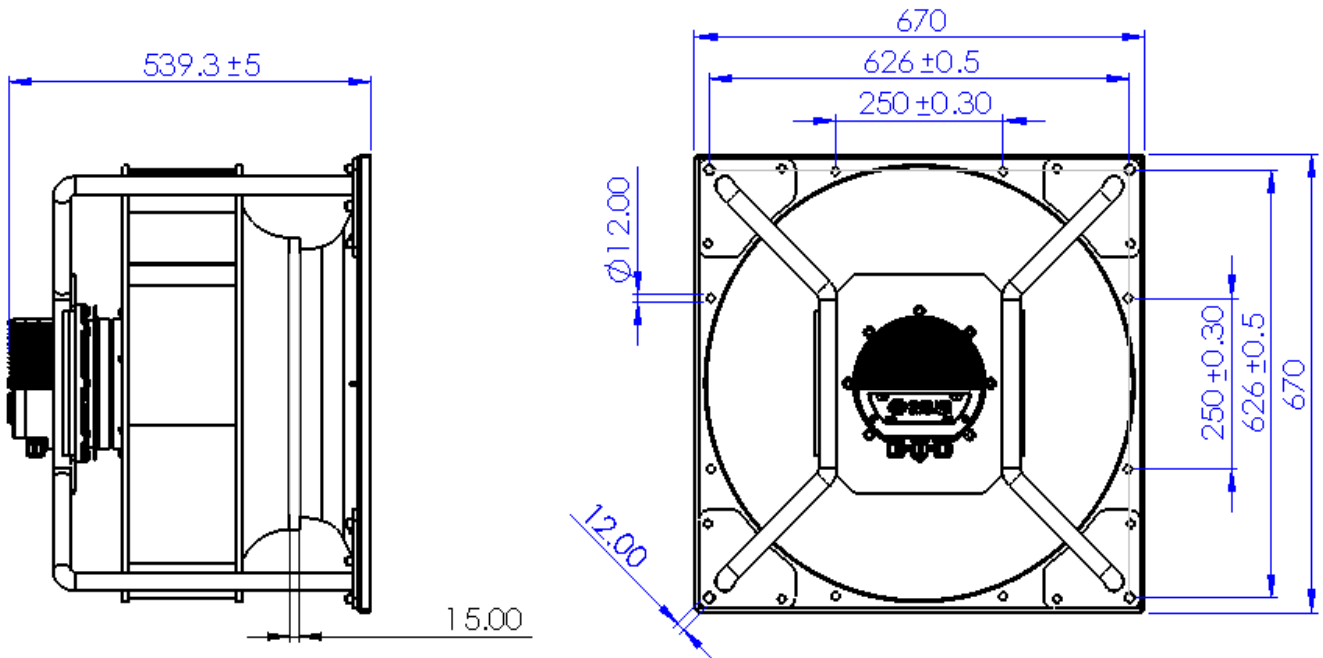
8. Drawing



Horizontal Installation

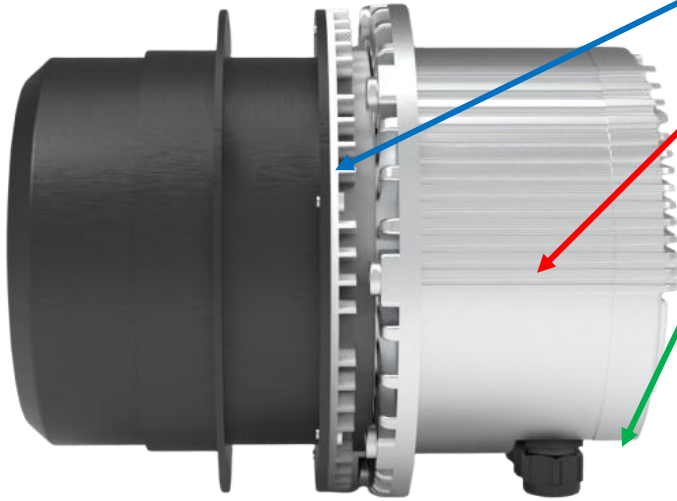


Vertical Installation



The drawing dimensions may change slightly.

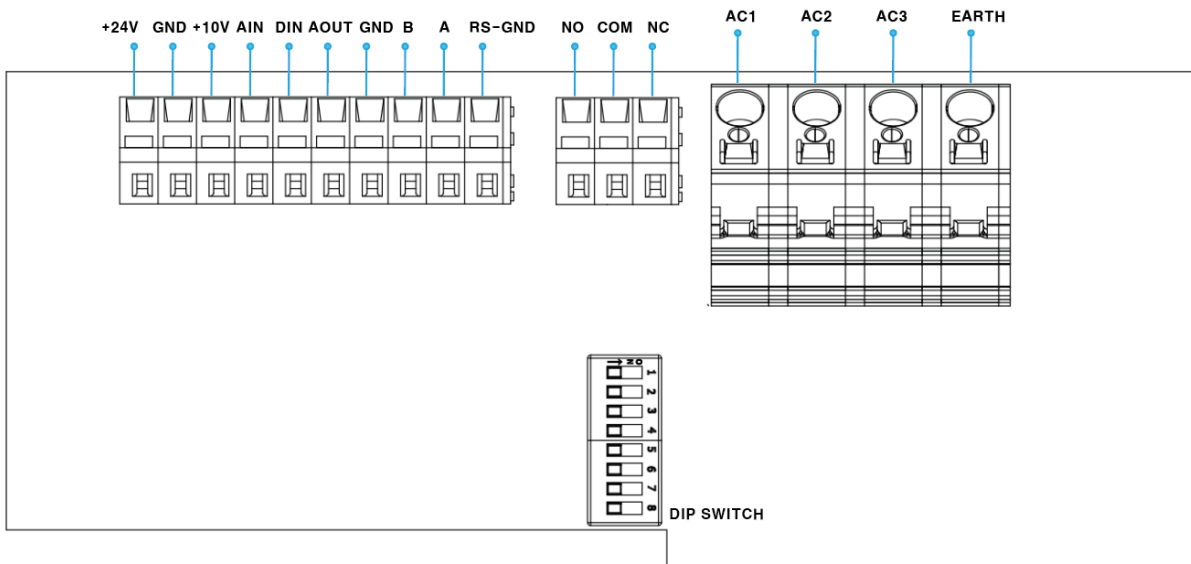
9. Motor Detail



- 1. External rotor
- 2. PCB Hardware built-IN
- 3. Input power cable terminal

SEUM-EC-SEREIS

10. PCB Connector



1. +24V	DC Voltage Output (500mA;)
2. +10V	DC Voltage Output (500mA;)
3. A, B, RS-G(Ground)	RS-485 (Modbus RTU)
4. AIN	0-10V Analog Control (10K Potentiometer)
5. DIN	Enable , Disable (VSP control)
6. AOUT	Speed Analog Output (0~100% = 0-10V;)
7. DIP Switch	Device ID setting (Max 0~255 Channel)
8. Input Voltage	3Phase 380V 50/60hz
9. Earth	Earth

- ▶ (S-FR-560-E2-CB) Data Sheet Ver_1.0 (2024.12.03)
- ▶ (S-FR-560-E2-CB) Data Sheet Ver_2.0 (2026.04.03)

©2026 SEUM A&T Co.,Ltd All Rights Reserved

Original author : Man-Hong Lee (Jason)

This Data Sheet cannot be reproduced or copied without permission without the written consent of SEUM A&T Co., Ltd.



SEUM A&T Co., Ltd

Adress : 29-12, Bangchon-ro 955beon-gil, Tanhyeon-myeon, Paju-si, Gyeonggi-do

Call : +82 31) 941-1066

Fax : +82 31) 945-1068

<http://www.seum-at.com>

